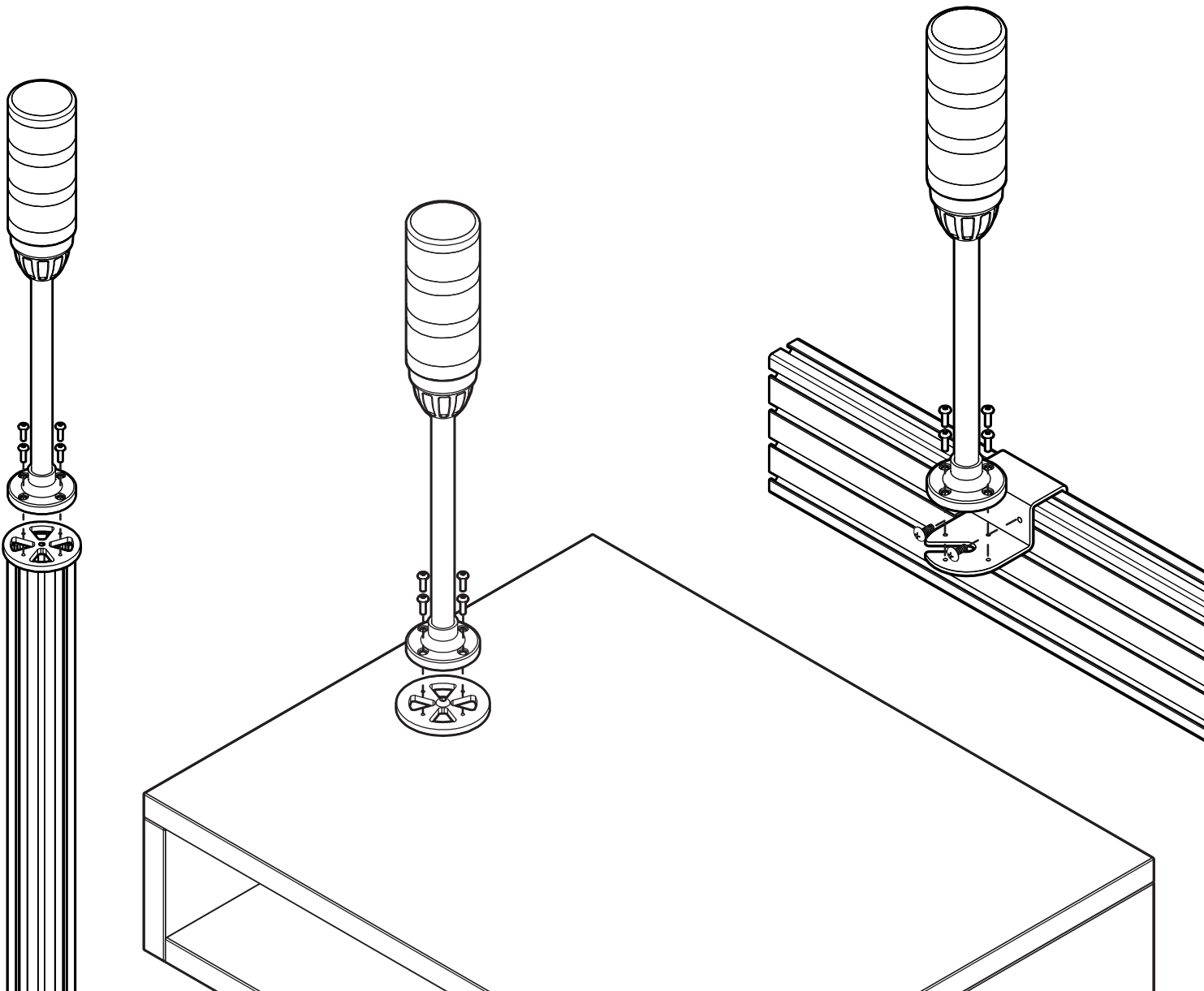
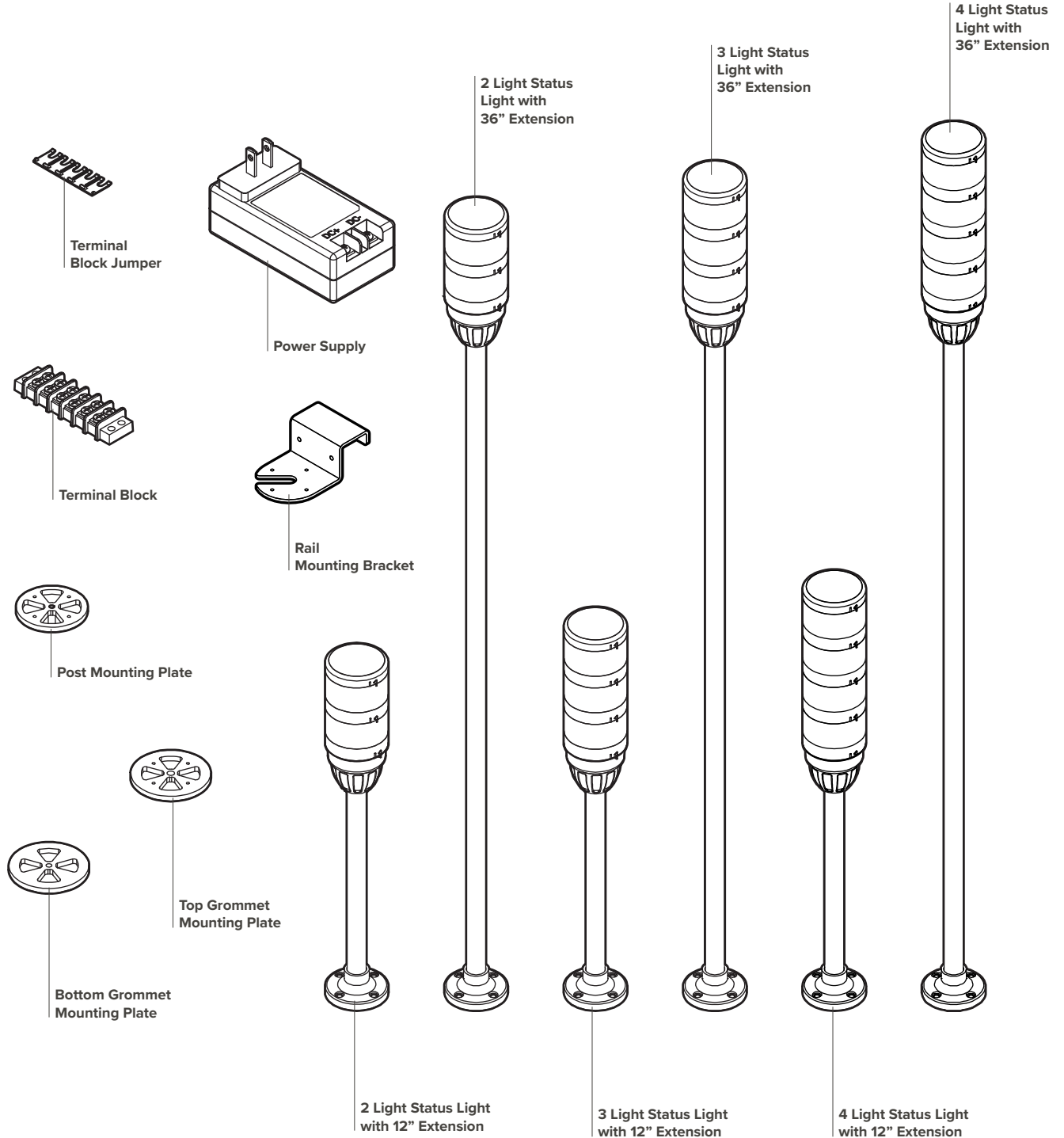


STATUS LIGHT

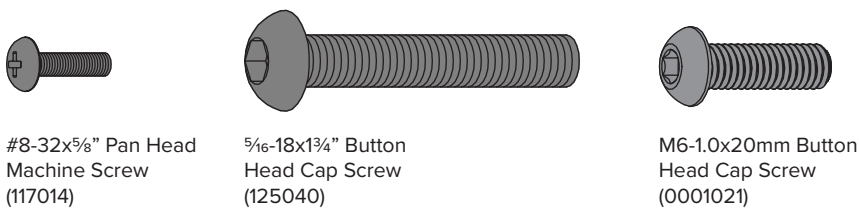
ASSEMBLY INSTRUCTIONS



COMPONENTS



FASTENERS



1. **Attach Post Mounting Plate**

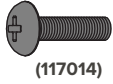
Remove the post top cap and attach the post mounting plate to the post by screwing it onto the desired post.

Note —
If using the array-mounted version, skip to step 3; If using the grommet-mounted version, skip to step 5.

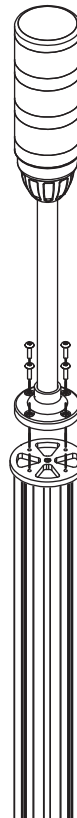


2. **Attach Status Light**

Attach the status light to the mounting bracket using 8-32x⁵/₈" machine screws.

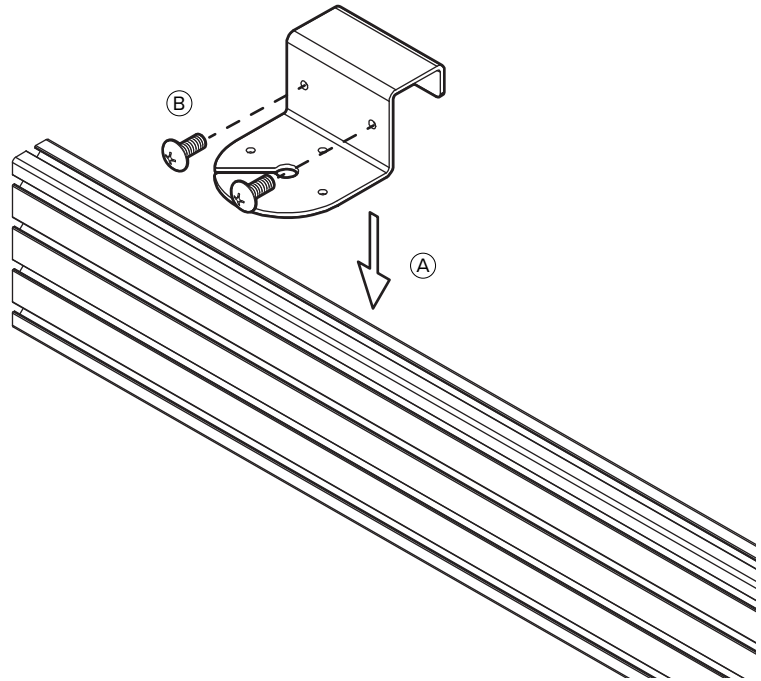
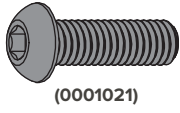


(117014)



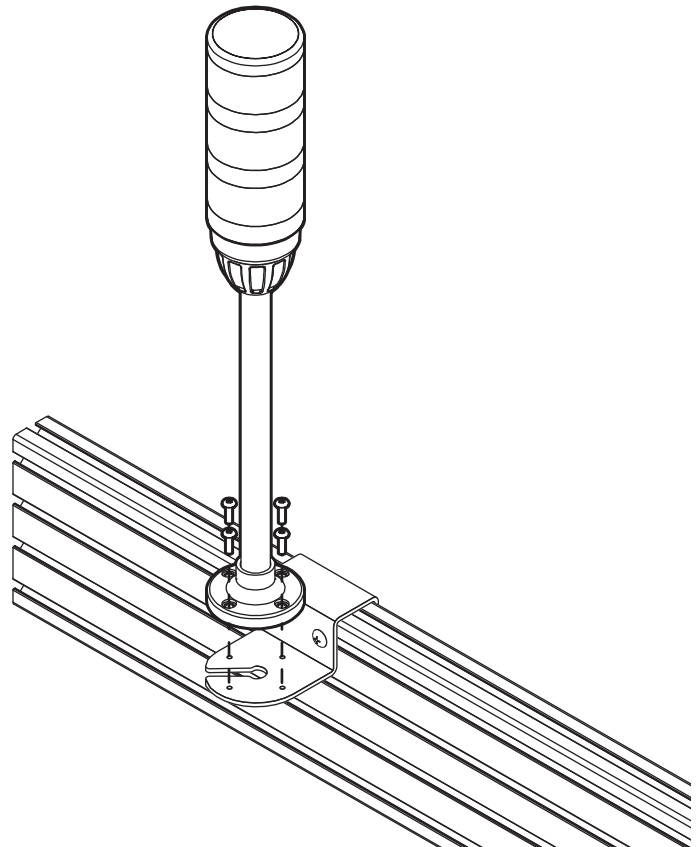
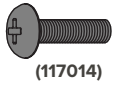
3. Attach Array Mounting Bracket

- Ⓐ Hook the array mounting bracket over the array bar in the desired position.
- Ⓑ Secure the array bracket using 2x M6-1.0x20mm machine screws.



4. Attach Status Light

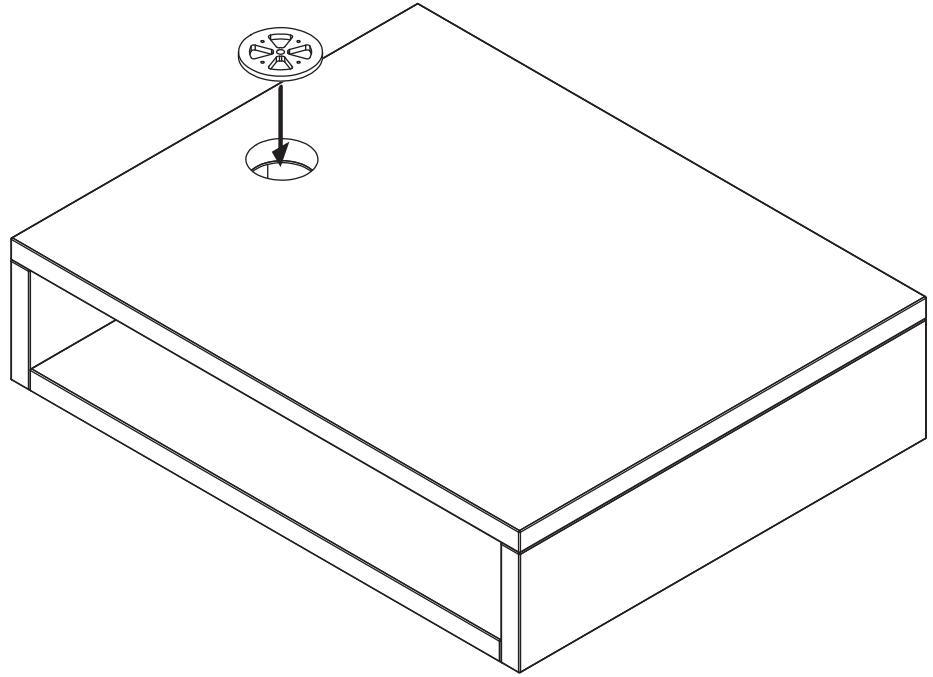
Attach the status light to the bracket with 4x 8-32x5/8" machine screws.



5.

Position Mounting Plate

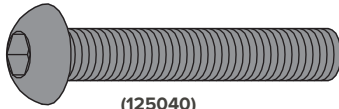
Position the upper mounting plate over the center of the grommet. This plate can be identified by four threaded holes.



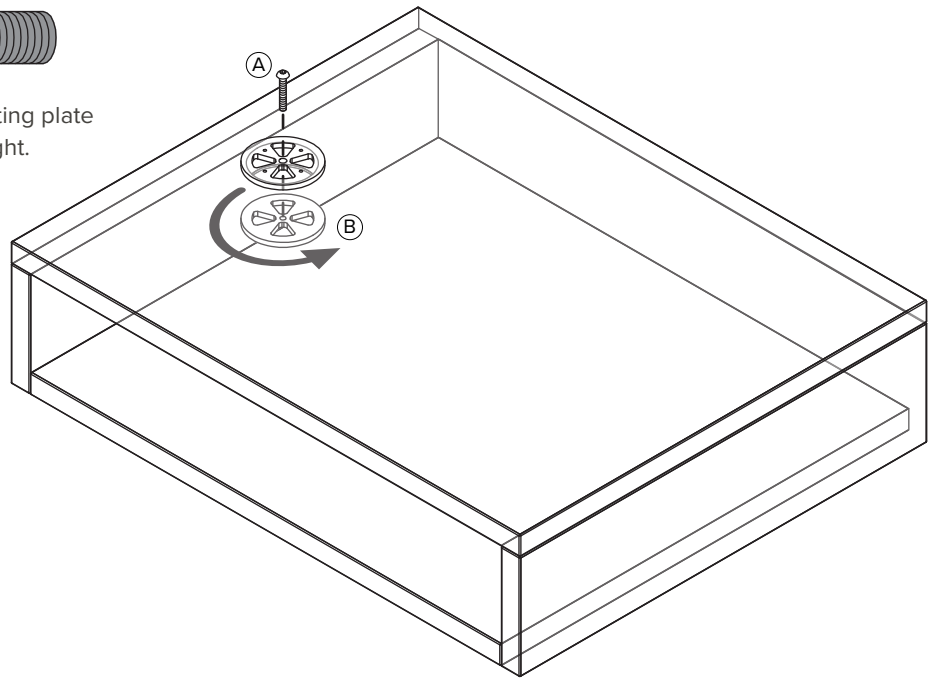
6.

Attach Mounting Plates

(A) Insert a $\frac{5}{16}$ -18x1 $\frac{3}{4}$ " screw through the top mounting plate.



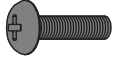
(B) Twist the bottom mounting plate onto the screw until it is tight.



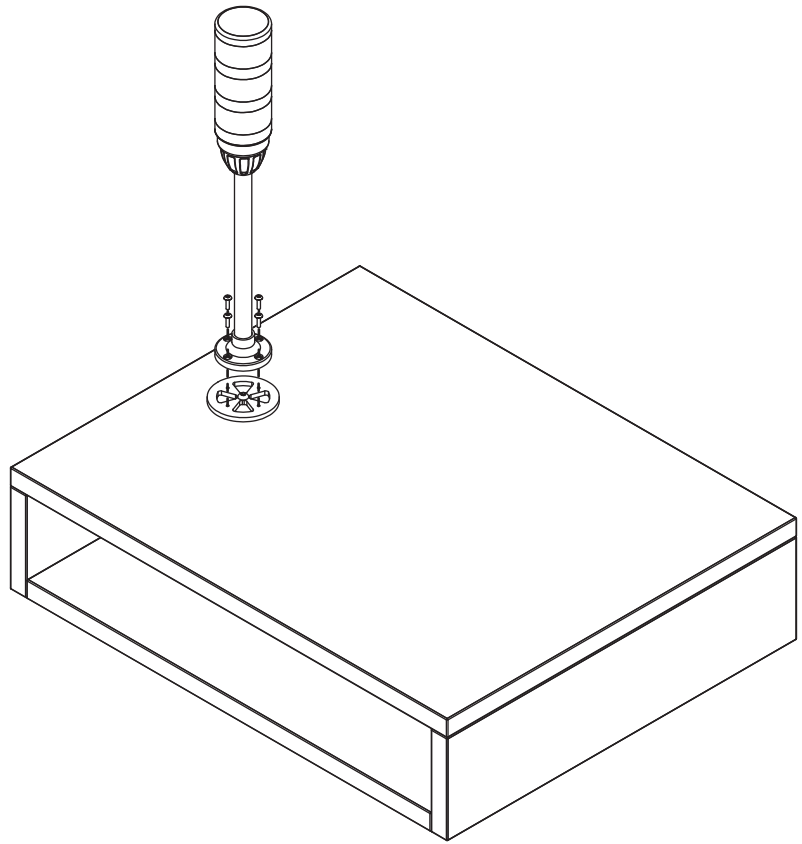
7.

Attach Status Light

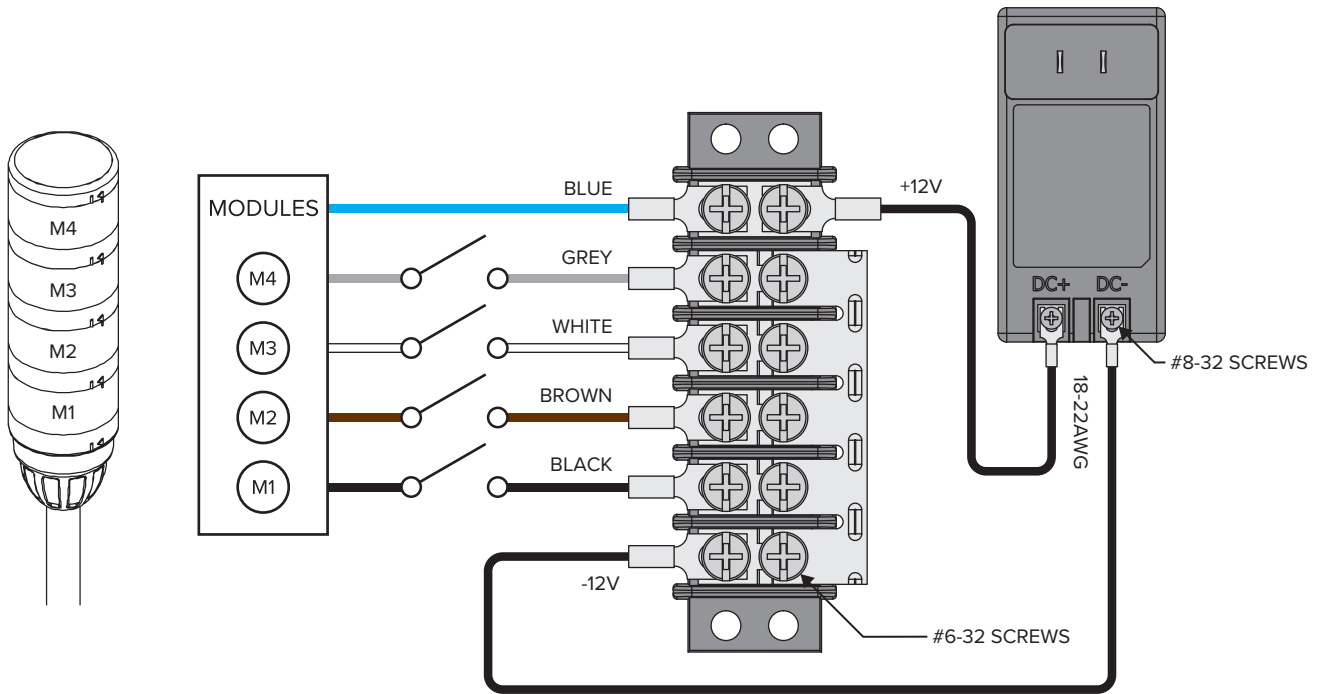
Attach the status light to the mounting plate using 4x 8-32x5/8" machine screws.



(117014)



WIRING SCHEMATIC



SWITCHES AND CONNECTORS NOT SUPPLIED
REFER TO POWER SUPPLY MANUAL FOR MAXIMUM CABLE LENGTH

watsonconsoles

26246 Twelve Trees Lane NW, Poulsbo, Washington 98370

360.394.1300 watsonconsoles.com service@watsonfg.com